

Uni-T-Fence Installation and Use Instructions For The Delta® Unifence Table Saw Guide System

The Uni-T-Fence is a heavy duty aluminum extrusion up grade fence for the Delta® Unifence Table Saw Guide System designed by Might-T-Track Inc. It replaces the Stock Delta Fence which mounts to their saw fence guide. You must own the Delta UniFence to use this product. Mounting the Uni-T-Fence to your Delta® Unifence is as simple as sliding the Stock fence off and sliding the Uni-T-Fence on. There are no holes to drill.

WARNING: Failure to obey these warnings could lead to serious injury.

1. Read, understand and follow all the operating instructions provided with your table saw.
2. Read, understand and follow all the instructions provided with this fence system.
3. Always disconnect power from the saw before performing maintenance repairs, bade adjustments, blade replacement and the installation of this fence system to prevent injury from accidental power up.

Uni-T-Fence Installation

Step 1 Remove Stock Delta Unifence:

Loosen the Unifence Mounting Bracket Knobs A and B and slide the stock Unifence back and away from the mounting bracket as shown in Drawing 1.

Step 2 Instal the Uni-T-Fence:

With the Unifence Mounting Bracket Knobs A and B loose from Step 1 above slide the Uni-T-Fence onto the Unifence Mounting Bracket for normal use.

Step 3 Check Measuring Cursor for alignment to Measuring Tape Zero (Drawing 3) and realign if needed. See Delta Unifence Owner Manual for the Cursor alignment instructions.

Use Instructions:

The Uni-T-Fence is used in the same manner as the stock Delta Unifence but unlike the stock Unifence the Uni-T-Fence can use many safety and hold down accessories (See Drawing 4).

The UHMW Fence Insert can be replaced with a wooden (MDF) insert to be used with a dado or saw blade. (See Drawing 5)

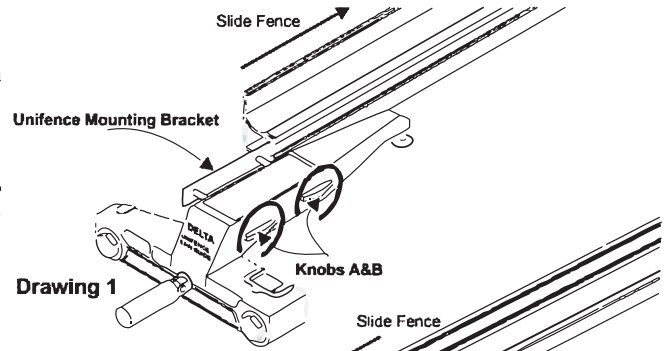
Visit www.ptreeusa.com for a complete line of table saw safety and control accessories.



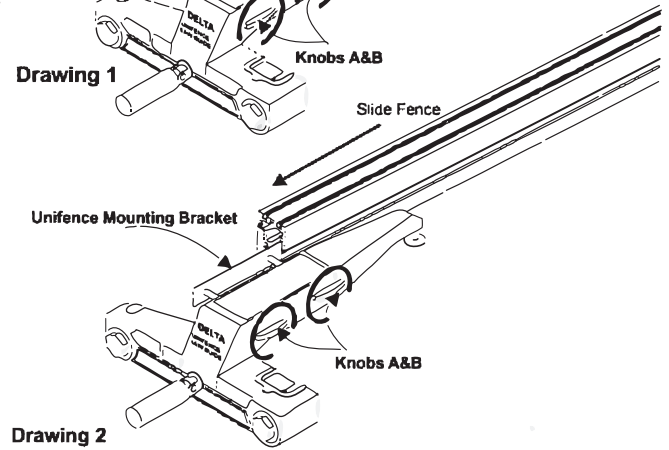
"Your One Stop Supply Shop"
6684 Jimmy Carter Blvd. Suite 100
Norcross GA, 30071

Peachtree Woodworking Supply, Inc. employees, officers, authorized distributors and retailers will not be held responsible for damages or injuries resulting from the misuse or improper installation of this product.

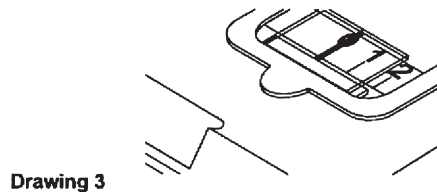
© Copyright Peachtree Woodworking Supply 2006



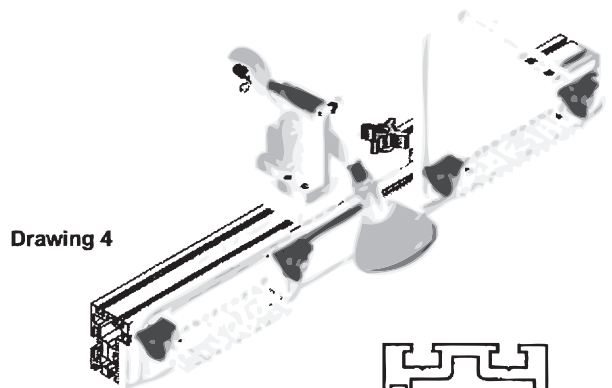
Drawing 1



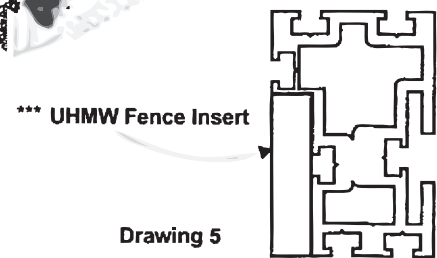
Drawing 2



Drawing 3



Drawing 4



Drawing 5

Uni-T-Fence End View

*** UHMW varies in thickness and my not be flush with the aluminum fence body, this does not interfere with the use of fence accessories or other operations. If desired the UHMW fence can be shimmed to move the UHMW out or planed with any standard woodworking planner to thin the insert.

Uni-T-Fence Installation Guide For Use As A Universal Table Saw Fence Upgrade

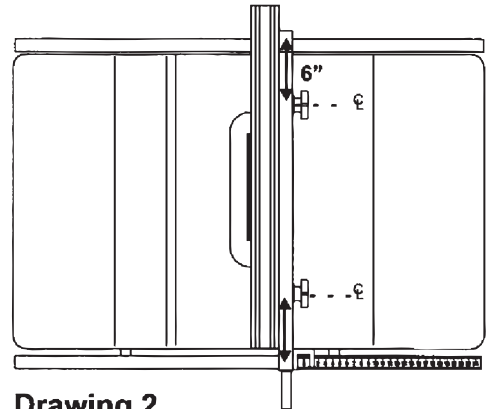
The Uni-T-Fence is a heavy duty aluminum extrusion upgrade fence for most Table Saw Guide Systems. Designed by Might-T-Track Inc. the Uni-T-Fence can be added to the face of most all standard table saws to add the ability to use popular safety and control accessories. This add on fence does not replace the stock fence, but mounts to it and requires the drilling of the stock fence or other modifications. In addition to drilling the stock fence some realignment of the fence rails and or measuring system may be required.

Uni-T-Fence Installation

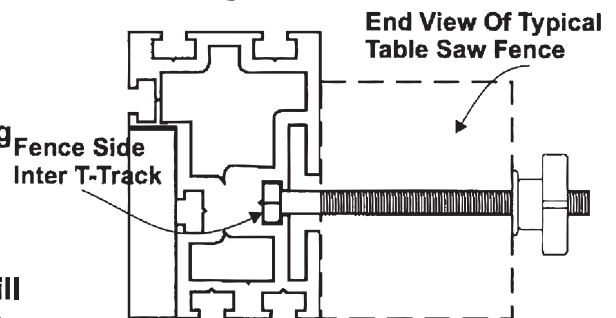
Installing the Uni-T-Fence will vary from table saw to table saw. The basic installation consist of drilling two through holes in the stock fence 1-3/16 up from the bottom of the stock fence(the edge that rest on the saw top). Check your fence carefully to insure there is not any obstruction such as a locking rod in the fence where the mounting holes are to be drilled. These mounting holes should be approximately 6" inward from the fence ends. The mounting bolt holes should be slightly over size to allow proper alignment.

The Uni-T-Fence mounts to the stock table saw fence using two 1/4" bolts with the bolt heads trapped in the Inter Fence Side T-Track. The length of the 1/4" mounting bolts will be determined by the width of the stock fence plus approximately 2 1/2". (See Drawings 2 & 3)
No mounting hardware is supplied with this fence.

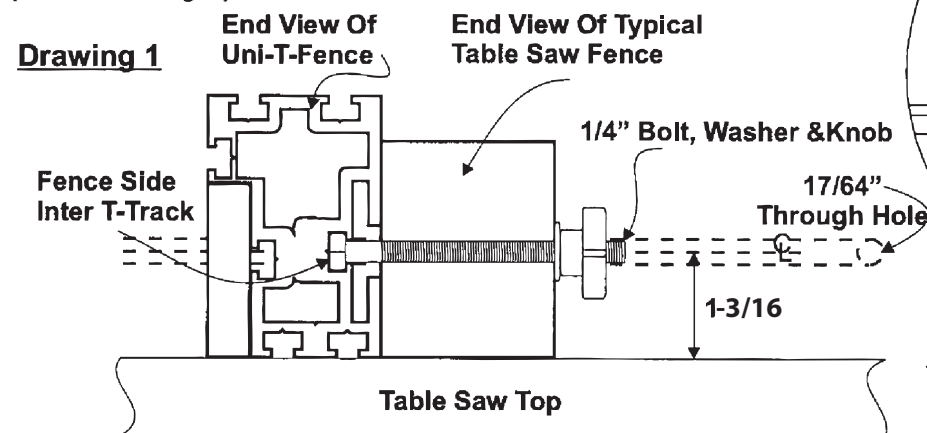
Once the Uni-T-Fence is mounted to the stock fence it will be necessary to realign the zero mark on the stock fence rail measuring tape with the fence cursor. This is can be accomplished by shifting the rail with the measuring tape to the left lining up the zero mark with the fence cursor while the fence is touching the right side of the saw blade or by replacing the measuring tape and aligning it. (See Drawing 4)



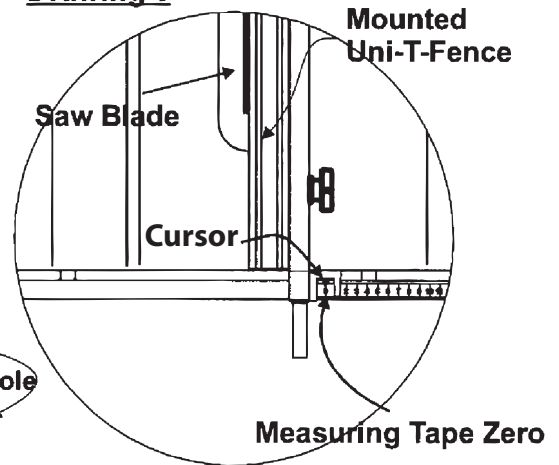
Drawing 2



Drawing 3



Drawing 1



Drawing 4

WARNING: Failure to obey these warnings could lead to serious injury.

1. Read, understand and follow all the operating instructions provided with your table saw.
2. Read, understand and follow all the instructions provided with this fence system.
3. Always disconnect power from the saw before performing maintenance , repairs, bade adjustments, blade replacement and the installation of this fence system to prevent injury from accidental power up.

Peachtree Woodworking Supply, Inc. employees, officers, authorized distributors and retailers will not be held responsible for damages or injuries resulting from the misuse or improper installation of this product.